

Backlit Flat LED Panel Light

36W, 24W, 12W



E-lite LED Panel Light is a highly versatile luminaire designed to provide smooth lighting. It comes in 300X1200mm, 600X1200mm, 600X600mm, 300X600mm back lit light distribution for a shadowless and more evenly distributed effect. Ideal for general lighting applications such as open office, schools, healthcare, and retail .

Product features

E-lite Backlit Flat LED Panel Light is the ideal low profile replacement for fluorescent fixture. The enhanced optics with back lit technology produces a low glare and a consistence even illumination. Backlit panel light has a longer lifespan, good resistance to yellowing.

Optical

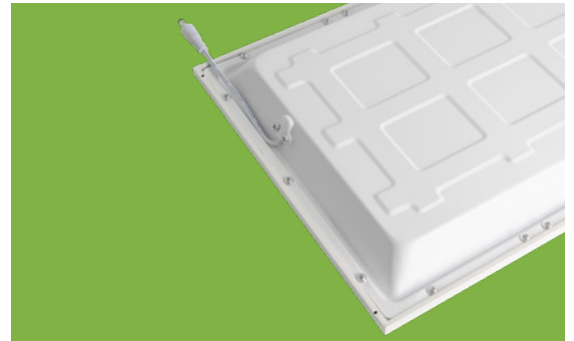
The LED Panel has a translucent white polystyrene (PS) diffuser that delivers a soft and comfortable light. Its specialised optical design ensures good uniformity of light and with a CRI of >80 these panels also provide excellent colour rendering. They are Lead free, eco-friendly, and have a zero maintenance factor. Their Flicker-free design protects human eyes and reduces eye fatigue.

Electrical

Input voltage: 200-240VAC, 50Hz. Long-life LEDs provide the fixture a rate life of 50,000 hours. Excellent luminaire efficacy provides significant energy savings. Isolated power supply makes this product relatively safer. To ensure trouble-free operation, protection is provided against over-current, over-voltage and short circuits.

Construction

Compared with general edge lit panel, E-lite backlit is light weight and without the light guide plates (LGP). The frame for the panel is made from cold-rolled steel SPCC back and aluminum. Each panel light is manufactured with high quality components and is suitable for indoor applications only. Its IP rating is IP20.



Rating & Warranty

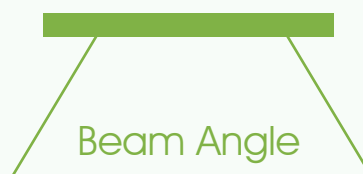
SAA, EMC approved. Standard limited warranty is 5 years against manufacturing defects.

Mounting

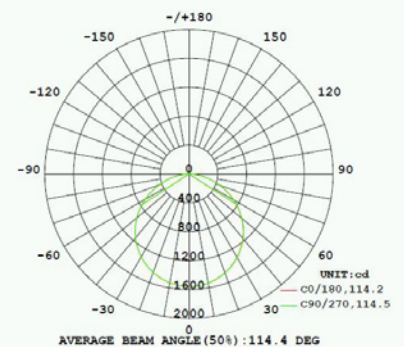
Suitable for recessed-mount and cable-mount. Fits standard T-bar and narrow grid drop ceilings.

Application

LED recessed panel light is a perfect lighting solution for indoor applications like offices, classrooms, showrooms, lobbies, reception areas, hospitals and general ambient lighting. Working temp: -20~40°C (-4~104°F). Storage temp.: -30~60°C (-22~140°F).



120°



Parameter

Model No.	Power	Lumens	Efficacy	Dimension
EL-PL36W0612A	35.72W	4560.70lm	127.66LPW	595*1195*35mm
EL-PL24W0612A	23.85W	3073.25lm	128.86LPW	595*1195*35mm
EL-PL24W0606A	23.81W	3025.86lm	127.08LPW	595*595*35mm
EL-PL24W0312A	23.76W	3046.14lm	128.19LPW	295*1195*35mm
EL-PL12W0306A	11.66W	1547.77lm	132.68LPW	295*595*35mm

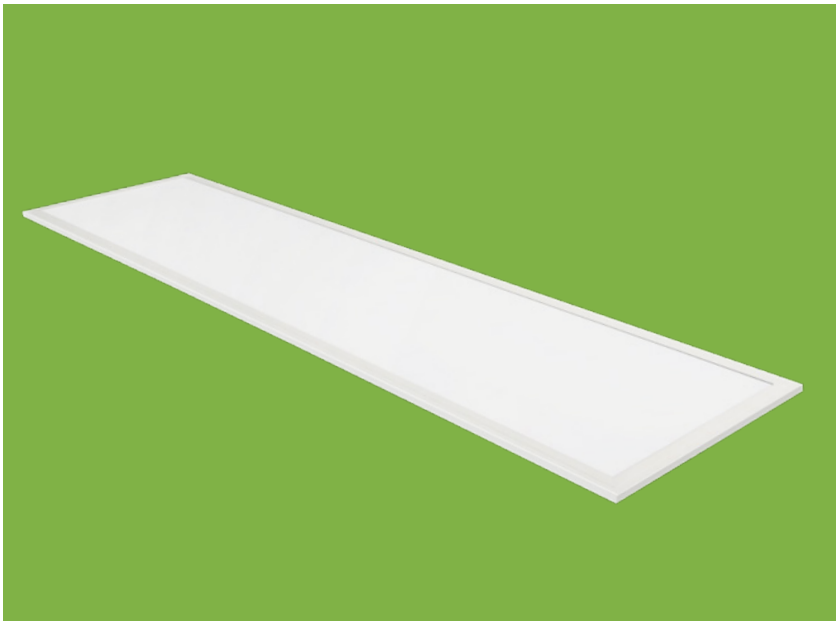
Warranty: 5 years
 Lifetime: 50,000hrs

THD: <20%
 CRI Range: >80Ra

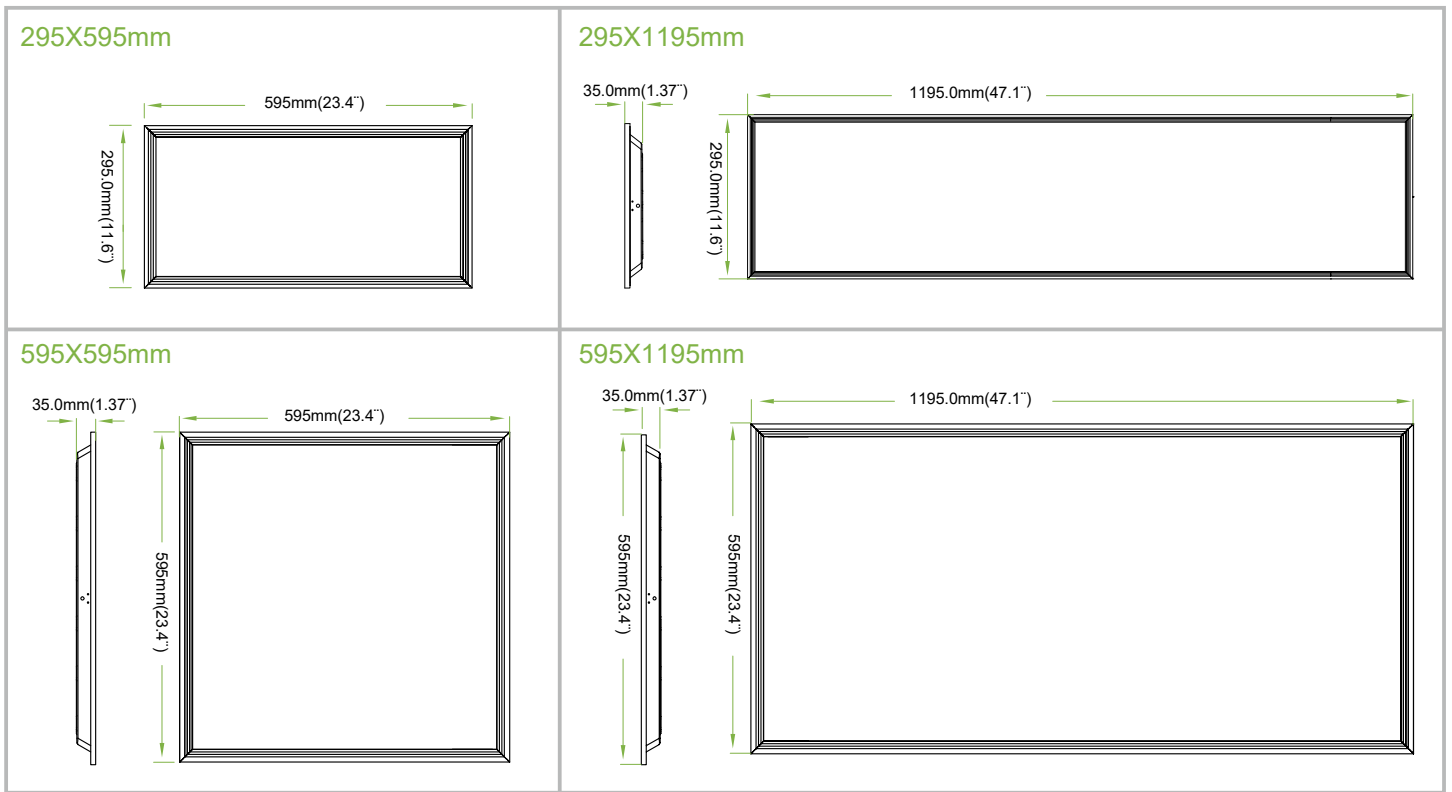
Beam Angle: 120°
 Efficacy: 120/125LPW

Power Efficiency: 87%
 AC Input: 200-240V 50/60Hz

Product Display

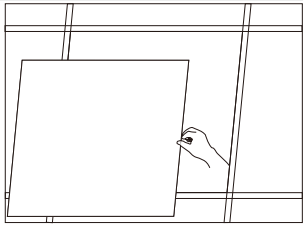
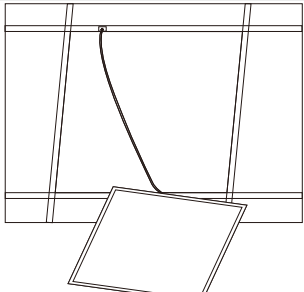
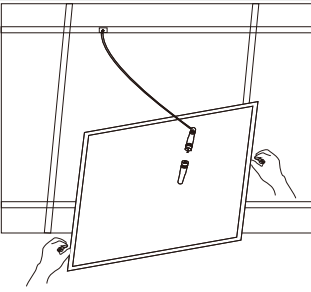
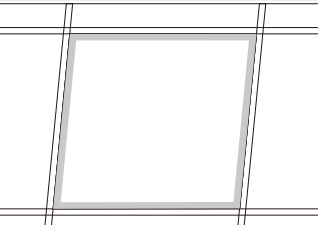


Product dimensions

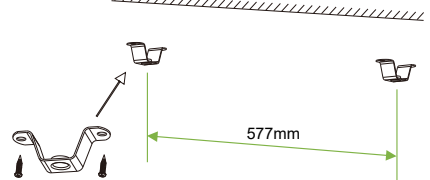
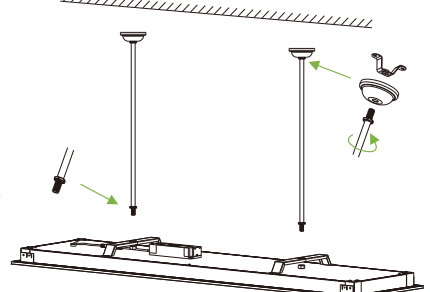
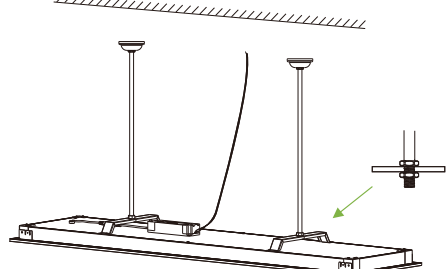


Installation

• Recessed mounting

 <p>Remove the plasterboard from the ceiling.</p>	 <p>Connect the power wire.</p>	 <p>Place the panel light onto the ceiling grid i.e. T-Bar</p>	 <p>Make sure the panel light is sitting firmly on the grid before use.</p>
--	--	--	--

• Suspended installation optional

 <p>Ensure mounting clips are fixed firmly on to the roofs surface at a distance of 577±1mm.</p>	 <p>Fit boom with two nuts on each end first, make one end go through the mounting clip fixed to the ceiling, using the second nut fix tightly.</p>	 <p>Now fix the boom rod to the clips fasted to the panel light, using the second nut fix tightly.</p>
--	---	---

• Installation Instructions

1. Choose location to mount Panel Light
2. Remove Panel from its original packing
3. Isolate mains power near location so as not to cause electrical hazard
4. Plug the panel to the mains socket with the cable and plug provided
5. Turn mains on and flick the light with the respective switch to turn the light on.

WARNING: RISK OF ELECTRIC SHOCK



CAUTION



It is illegal for persons other than appropriately licensed electrical contractors or other persons authorised to by legislation to work on the fixed wiring of any electrical installation.

- To comply with all the safety standards, the product must be used only for the purpose described in this instruction and must be installed in accordance with wiring rules and regulation in the location where it is installed. e.g. AS/NZ3000 Electrical installation.
- There are no user serviceable parts inside the product.

The product is class 2

- Check whether the product has been damaged during transport.
- Do not operate/install any product which appears damaged in anyway. Return the complete product to the place of purchase for inspection, repair or replacement.
- If the external flexible cable or cord of this luminaire is damaged, it shall be replaced by the manufacturer or his service agent or a similar qualified person in order to avoid a hazard.
- The light source contained in this luminaire shall be replaced by the manufacturer or his service agent or a similar qualified person to avoid a hazard.
- This led product is for indoor use only, avoid installing the panel close area that have strong acid, strong alkali, hot source, thermal steam and corrosive gases.
- Do not install the panel in an area that is prone to vibrations.
- When using, do not put the panel into any enclosure or cover the back of it as it may affect the dissipation of heat when working.

RISK OF BURN INJURIES



CAUTION

During and after use the unit may be hot. Do not touch the unit before it has completely cooled down. Failure to follow these instructions can result in minor injuries, or equipment damage.

Contact us at:

E-Lite Australasia Pty Ltd

Ph: 08 7073 6065

Mo: 040 6533430

Email: anil@e-lite.com.au

Address: 7/900 South Road, Edwardstown, SA 5039

Ph: 08 7073 6065

Mo: 0414 240 430

Email: admin@e-lite.com.au

Address: Level 14, 309 Kent Street, Sydney, NSW 2000