



LED Batten Light

9W, 12W, 18W, 24W, 34W,



Product Features

DESIGN

Latest slim design.

COMPLIES

Complies with AS/NZ STANDARD.

INSTALLATION

Quick and easy installation.

SAVE

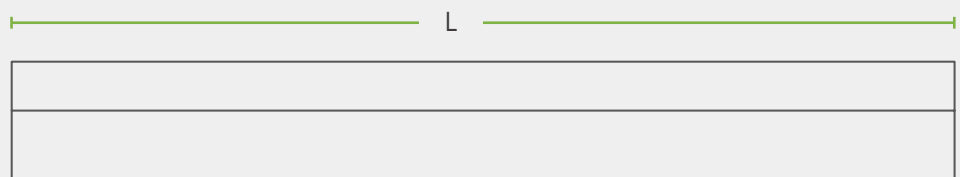
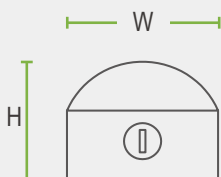
More than 50% savings on Lighting cost.

MOUNT

Ceiling mount and Cable-suspended mount optional.

SPECIFICATION

Size	Product Dimensions (LxWxH)	Function
2 FT	600x75x60mm (23.62*2.95*2.36")	Flicker-free
4 FT	1200x75x60mm (47.24*2.95*2.36")	Flicker-free



Product Features

ORDERING

Summary	E-LITE Item No.	Power	Efficacy	Lumens	Dimension	AC Input	Certificates of the driver
Single Color 3000/4000K/5000K	EL-B09W06D	9W	135LPW	1215lm	2 FT (600x75x60mm)	220-240V	SAA-181674-EA
	EL-B12W12D	12W	130LPW	1560lm	4 FT (1200x75x60mm)	220-240V	SAA-181674-EA
	EL-B18W06D	18W	130LPW	2340lm	2 FT (600x75x60mm)	220-240V	SAA-200609-EA
	EL-B24W12D	24W	130LPW	3120lm	4 FT (1200x75x60mm)	220-240V	SAA-200609-EA
	EL-B34W12D	34W	130LPW	4420lm	4 FT (1200x75x60mm)	220-240V	SAA-200609-EA
CCT Color Adjustable 3000-4000K-5000K	EL-B09W06DC	9W	135LPW	1215lm	2 FT (600x75x60mm)	220-240V	SAA-181674-EA
	EL-B12W12DC	12W	130LPW	1560lm	4 FT (1200x75x60mm)	220-240V	SAA-181674-EA
	EL-B18W06DC	18W	130LPW	2340lm	2 FT (600x75x60mm)	220-240V	SAA-200609-EA
	EL-B24W12DC	24W	130LPW	3120lm	4 FT (1200x75x60mm)	220-240V	SAA-200609-EA
	EL-B34W12DC	34W	130LPW	4420lm	4 FT (1200x75x60mm)	220-240V	SAA-200609-EA

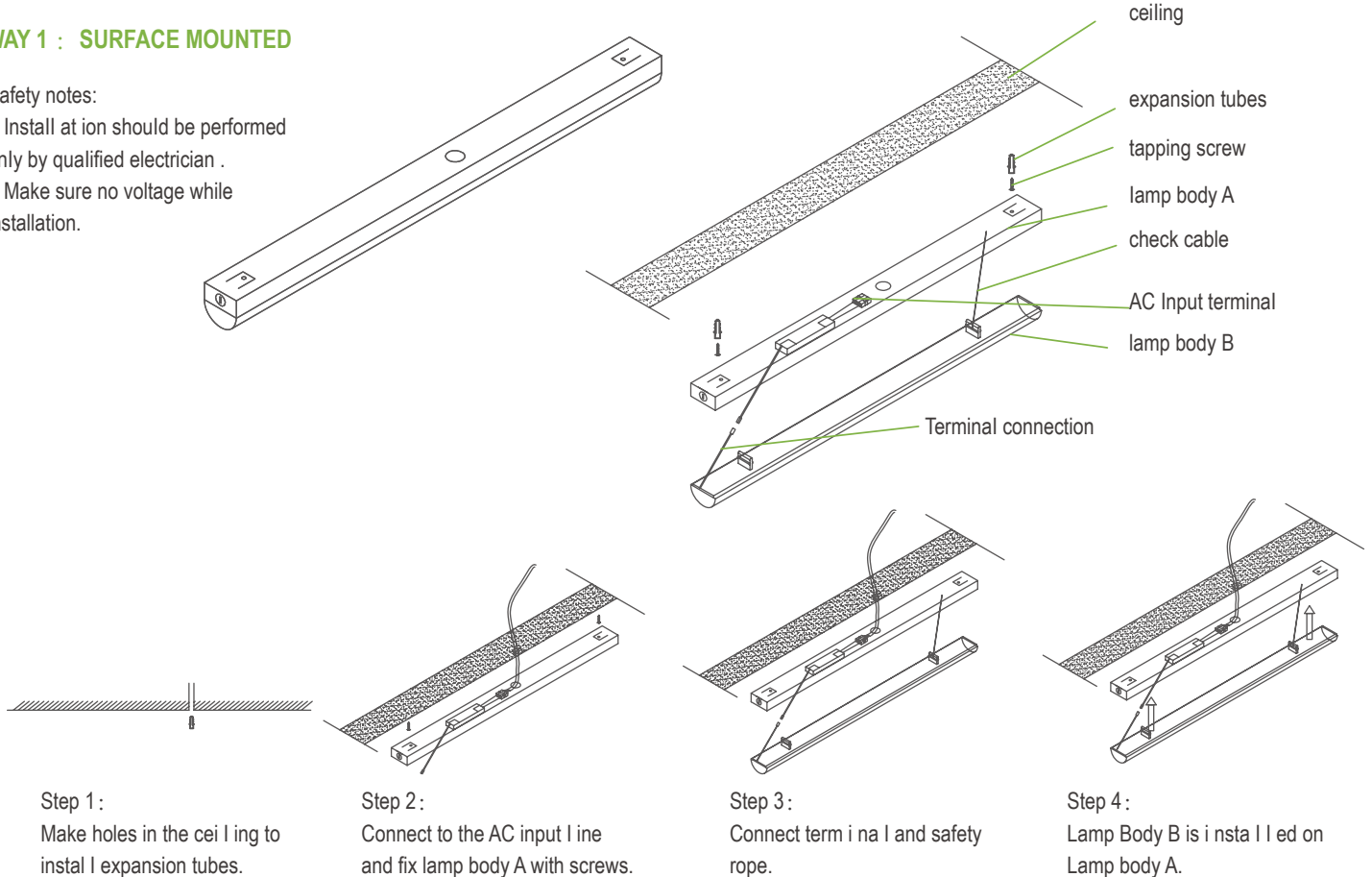
LED: SMD 2835 LEDs CRI: >80 THD: <20% IP: >0.9 Working temps: -20°C ~ +45°C (-4°F ~ +113°F)

Installation Manual

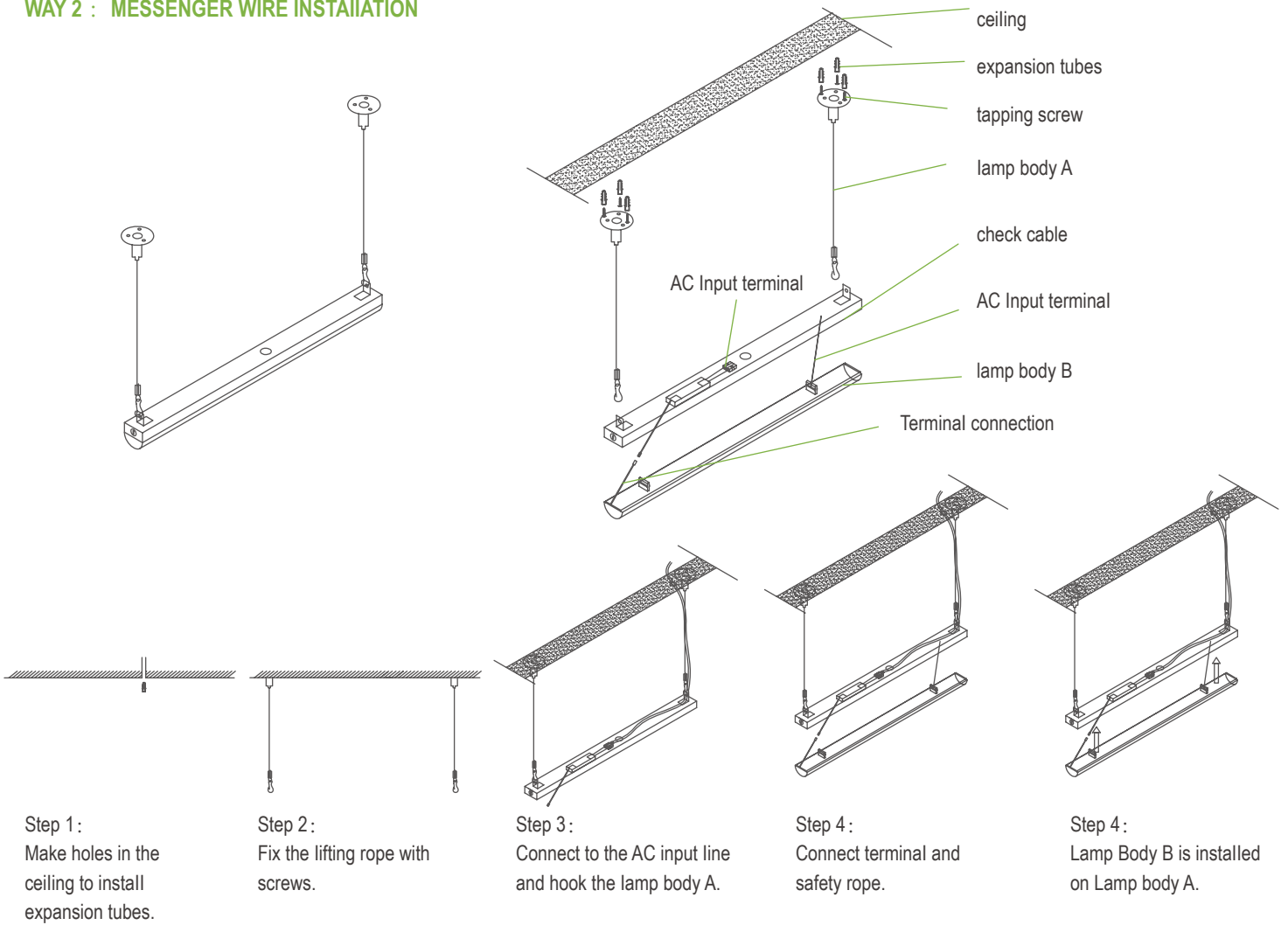
WAY 1 : SURFACE MOUNTED

Safety notes:

- Install at ion should be performed only by qualified electrician .
- Make sure no voltage while installation.



WAY 2 : MESSENGER WIRE INSTAIIATION



Contact us at:

E-Lite Australasia Pty Ltd

Ph: +61 8 7073 6065

Mo: 040 6533430

Email: admin@e-lite.com.au

Adelaide Office: 7/898-902, South Road,
Edwardstown, SA 5039

Ph: +61 2 9994 8059

Mo: 0414 240 430

Email: sales1@e-lite.com.au

Sydney Office: Level 14, 309 Kent Street, Sydney, NSW2000